

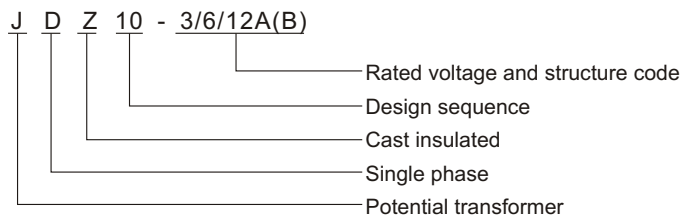
## JDZ10-3/6/12(RZL-12) Voltage Transformer

### Summary

The potential transformers of the types RZL(JDZ)10-3/6/12A(B) are single phase, casting resin insulated and full enclosed products. They are used for metering electric energy, voltage control and relay protection in the electric non-usefrl-groundd neutral system up to rated frequency 50Hz or 60Hz and rated voltage 3kV, 6kV and 12kV. The transformers can be executed according to the standards IEC 60044-2 and GB1207-2006.



### Model



### Structure feature

These potential transformers are casting resin insulated, fully enclosed type. The iron core and winding are casting together, It is small and light. The secondary outlet line is wrapped by outlet box and has three exits with different direction feed lines.

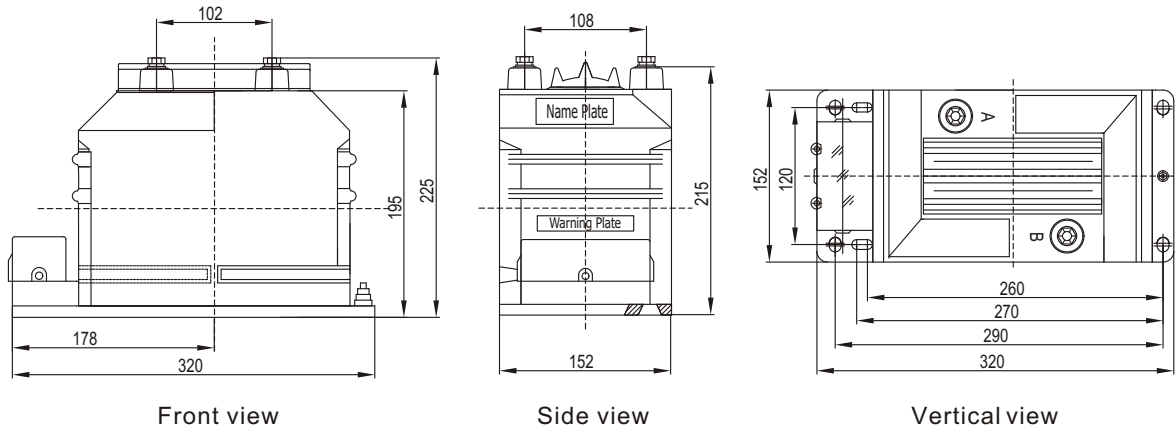
### Technical specification

1. The potential voltage transformers are in accordance with IEC60044-2 "potential transformer" standards;
2. Power factor of load:  $\text{COS } \phi = 0,8$ (lagging);
3. Surface creepage distance: the product accords with the request of class II ;
4. The other technical data see following table.

Type	Rated voltage ratio(V)	Frequency (Hz)	Accuracy class and rated output(VA)				Limit output(VA)	Rated insulation level(kV)	Remark	
			0.2	0.5	1	6P				
JDZ12-3A1 JDZ12-3A2	3000/100	50,60	15	30	60		150	3.6/25/40	The same as RZL10	
JDZ12-6A1 JDZ12-6A2	6000/100		15	30	60		150	7.2/32/60		
JDZ10-12A1 JDZ10-12A2	11000/110		15	30	60		150	12/42/75		
JDZ12-3B1 JDZ12-3B2	3000/100		25	50	90		300	3.6/25/40		
			40	100	150		500			
JDZ12-6B1 JDZ12-6B2	6000/100		25	50	90		300	7.2/32/60		
			40	100	150		500			
JDZ10-12B1 JDZ10-12B2	11000/110		25	50	90		300	12/42/75		
			40	100	150		500			
JDZX12-3AG	3000/ $\sqrt{3}$ /110/ $\sqrt{3}$ /110/3			40	60	50		150		3.6/25/40
JDZX12-6AG	6000/ $\sqrt{3}$ /100/ $\sqrt{3}$ /100/3			40	60	50		150		7.2/32/60
JDZX10-12AG	11000/ $\sqrt{3}$ /110/ $\sqrt{3}$ /110/3			40	60	50		150		12/42/75
JDZX12-3BG	3000/ $\sqrt{3}$ /100/ $\sqrt{3}$ /100/3			50	90	50		400		3.6/25/40
JDZX12-6BG	6000/ $\sqrt{3}$ /100/ $\sqrt{3}$ /100/3			50	90	50		400		7.2/32/60
JDZX10-12BG	11000/ $\sqrt{3}$ /110/ $\sqrt{3}$ /110/3		50	90	50		400	12/42		

## Outline dimension

JDZ10-3/6/12A1 outline dimension

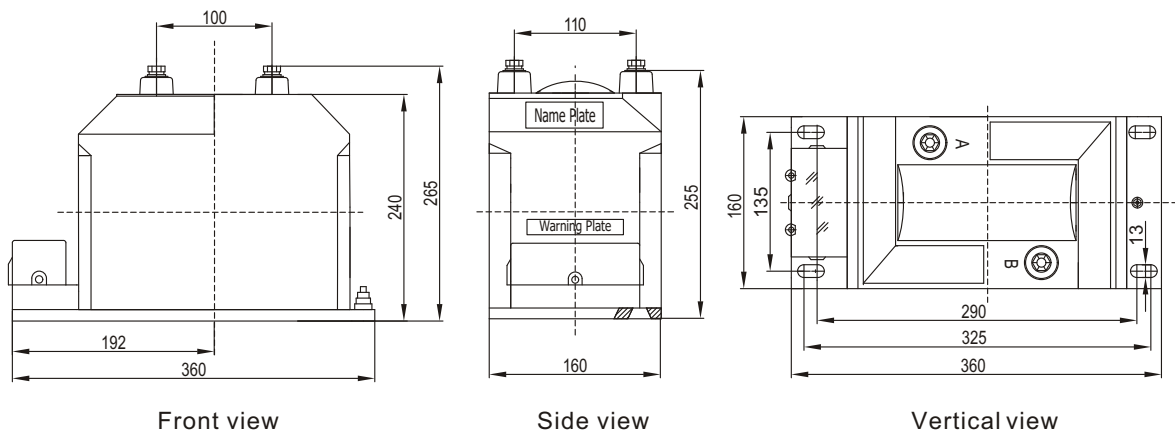


Front view

Side view

Vertical view

JDZ10-3/6/12B1 outline dimension

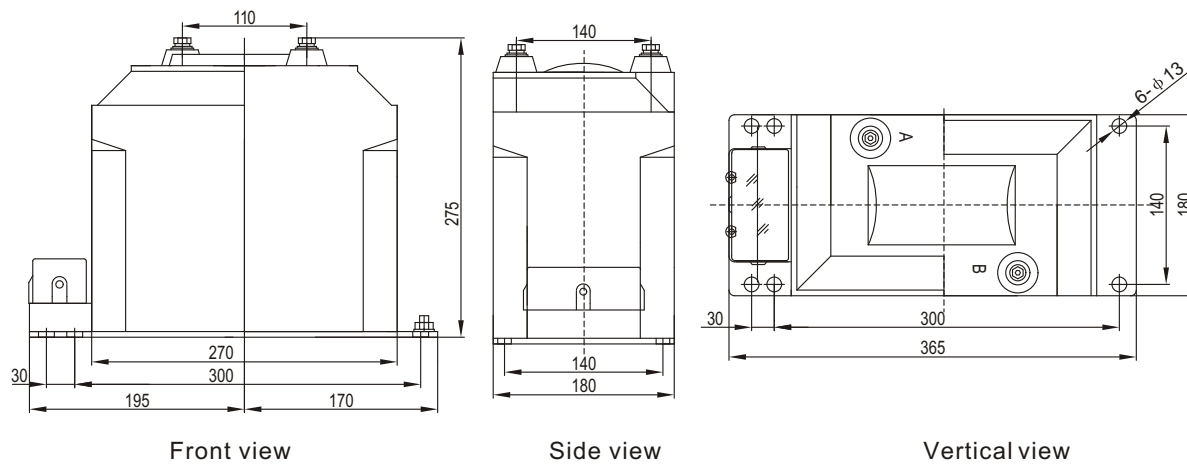


Front view

Side view

Vertical view

JDZ10-3/6/12B2 outline dimension



Front view

Side view

Vertical view