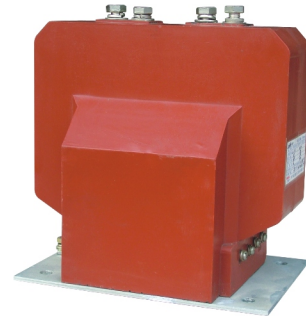
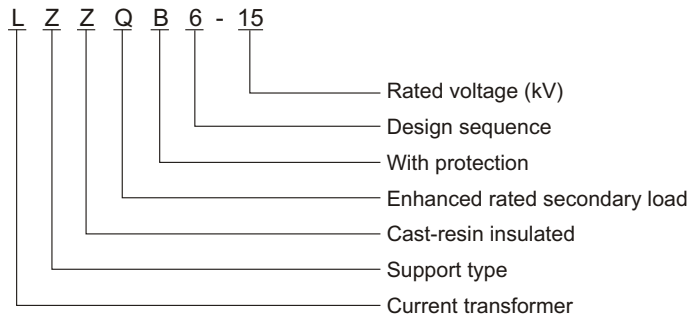


LZZQB6-15 current transformers

Summary

The LZZQB6-15 current transformers are designed in 10kV and below AC systems of 50Hz or 60Hz for measuring and protection purposes. The products conform the standards IEC60044-1 and GB1208-2006.

Model



Structure

The supporting type current transformers LZZQB6-15 are cast in epoxy resin insulated with big creepage distance and are excellent in anti-pollution and humidity protection. With high grade accuracy, it is suitable for protection against large short-circuit current.

Technical specification

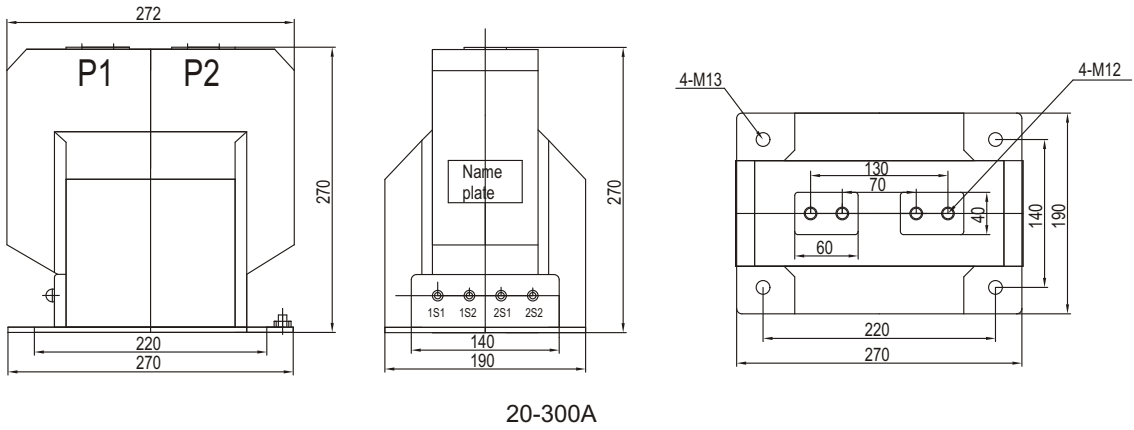
1. Insulation level: 17.5/38/105kV;
2. Load power factor: $\cos \phi = 0.8$ (lagging);
3. Rated secondary current: 5A
4. Partial discharge level: 20PC below;
5. Main technical data are as followings:

Table 1

Rated current (A)	Rated output (VA)		1 Thermal current kA (valid)	Dynamic current kA (peak)
	0.5	10P		
100	10	15	25	36
150				
200				
250				
300				
400	20	30	44.5	80
500				
600				
750				
800	30	40	44.5	80
1000			61	110

Outline dimension

LZZQB6-35 (Rated current 20-300A)



LZZQB6-35 (rated current: 400A-1000A & 1200-3150A)

