

M-BUS/PLC Collection Terminal For Water Meter

Summary

M-BUS/PLC collection terminal is a communications unit in carrier meter reading system, responsible for rule form parsing of the carrier channels to the M-BUS-channel, but also as a relay point of the carrier channel. Power line carrier communication protocol is single-rate-carrier extended protocol.

Functions and features

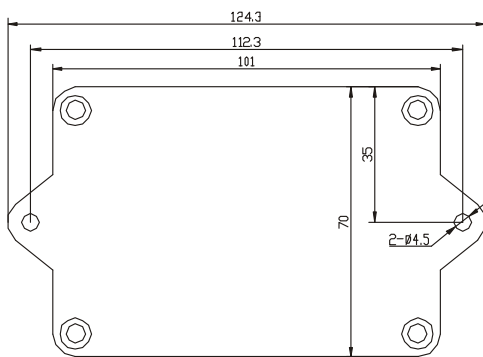
1. Supporting collect the M-BUS water meter data on M-BUS by carrier means.
2. Supporting attached four M-BUS water meter at most.
3. Adopt power line carrier to set terminal equipment number.
4. Adopt safe and reliable circuit designing, can save all settings and recording data in collection terminal. after power outage.
5. The communication effective distance of power line carrier can reach up to 500m without relay.
6. Collection terminals all have relay link function, can support up to seven class relay.



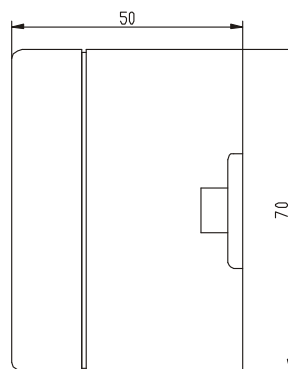
Technical specification

1. Carrier Communications: Direct Sequence Spread Spectrum, DPSK modulation and demodulation
2. Dimension: 124.3mm × 70mm × 50mm
3. Weight: About 0.6Kg
4. Power Supply Voltage: AC 220V ± 20%
5. Consumption of power: ≤ 0.9W (standby)
6. Ambient Conditions: Standard Operating Temperature: -30°C ~ +55°C
Limit working temperature: -40°C ~ +70°C
Relative humidity ≤ 85%

Outline dimension and Wiring diagram



Bottom View



side view



Wiring diagram

1. Wiring diagram (Specific wiring, see enclosure marking)
2. Connection instructions
Power supply cord access AC 220V, M-BUS cable access meter.
3. Installation instructions

Please read instruction carefully before installing, and follow the instructions required to operating, in order to avoid making the wrong connection of power lines and M-BUS cable, resulting in damages. In the lightning places, the installation should be taken the lightning protection measures.